

# **NANO IR**

## **INFRARED LED ILLUMINATOR**



### **Extreme low power consumption**

*The latest smt led technology ensures good performances at mid and short distances saving energy*

### **Integrated 230VAC power supply**

*The integrated constant current power supply allows a quick and easy installation without external box*

### **Ready for wall or camera housing**

*Easy to install standalone or with any camera housing! Wall/Housing Steel bracket included.*

### **Moulded full Aluminium body**

*The Aluminium shell guarantees vandal proof performances as well as heat dissipation*



**tekno system**<sup>®</sup>  
Italian design for CCTV since 1979

Tekno System S.p.A.  
Via Rostoncello, 1 - 36010 Carrè - Italy  
Phone: +39 0445 314324 | Fax: +39 0445 314319  
Email: [info@teknoystem.eu](mailto:info@teknoystem.eu) | Web: [www.teknoystem.eu](http://www.teknoystem.eu)

rev. 131112

Page 1 / 2

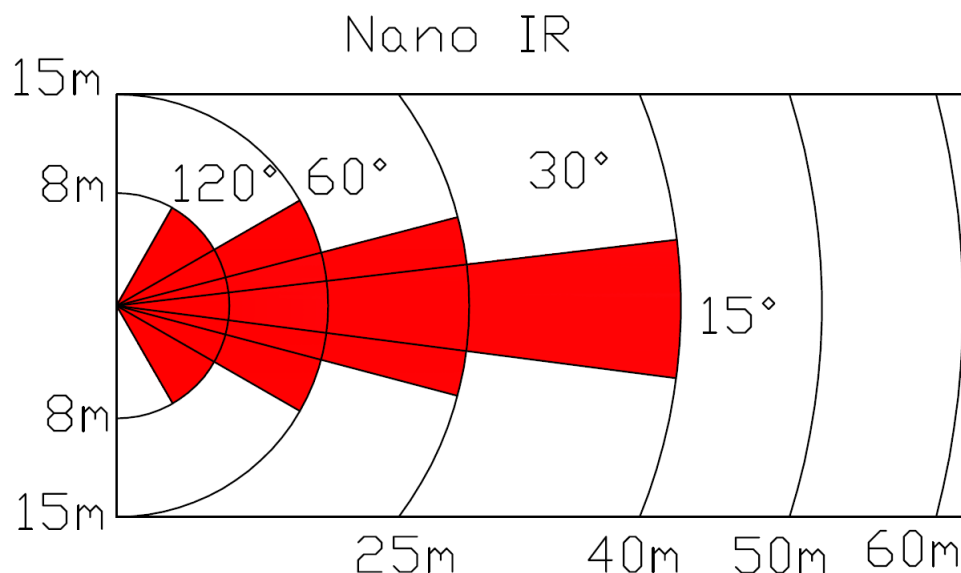
# NANO IR

## INFRARED LED ILLUMINATOR

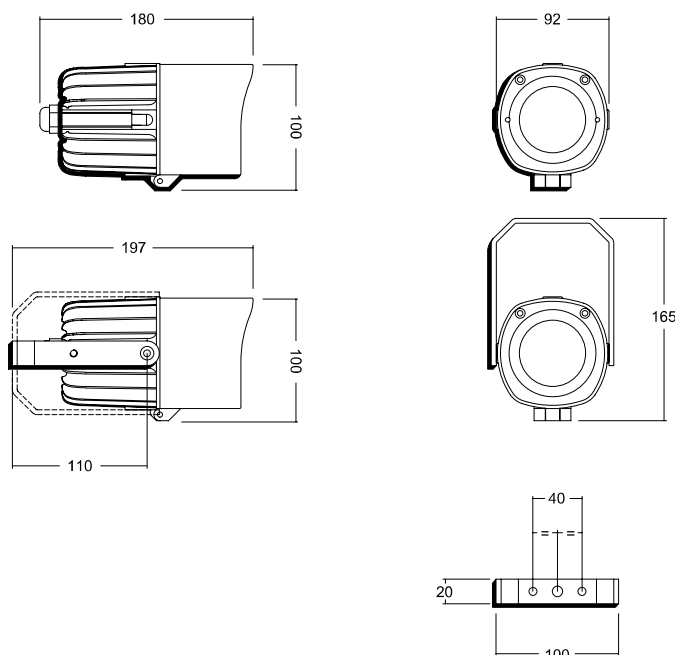
### INFRARED MODELS

ORDER CODE	Beam Angle	Max Distance *	IP Rate	Power supply	Wall / Housing Bracket
NANO 15 IR	15°	40	IP66	Internal 230 VAC	●
NANO 30 IR	30°	25	IP66	Internal 230 VAC	●
NANO 60 IR	60°	15	IP66	Internal 230 VAC	●
NANO 120 IR	120°	8	IP66	Internal 230 VAC	●

(\*) The maximum distance has been verified using a camera with a Sony Ex-View 1/3" CCD sensor and lens opening F: 1.3. The achievable distances can change according to the used camera sensor, lens luminosity and the reflection factor of the lightened area.



### DIMENSIONS



### SPECIFICATION

#### General

- Wavelength: 850nm semi-covert (IR version)
- High efficiency SMT Leds (MTBF: 50.000 hours)
- PC optical beam collimator
- Aluminium die cast molding and Technopolymers
- Radiant body for optimal thermal yield
- RAL9002 Polyester powder coating

#### Mechanical

- Dimensions:  
Length with bracket=197mm ; Ø=92 mm ;  
Bracket Length=110mm ; Bracket Width=100mm
- Weight: 0,8 Kg
- Beam Pattern: see table
- 1 Cable Gland M16 x 1,5 ; pre-cabled (2mt)

#### Electrical

- Power supply: Internal 230 VAC
- Power: 4,5 W

#### Environmental

- Indoor / Outdoor applications
- IP66 weatherproof rating (EN60529)
- Temperature Range : -40 °C to 50 °C
- RoHS compliant
- CE



**tekno system**<sup>®</sup>  
Italian design for CCTV since 1979

Tekno System S.p.A.  
Via Rostoncello, 1 - 36010 Carrè - Italy  
Phone: +39 0445 314324 | Fax: +39 0445 314319  
Email: [info@teknoystem.eu](mailto:info@teknoystem.eu) | Web: [www.teknoystem.eu](http://www.teknoystem.eu)

rev. 131112

Page 2 / 2